

SPINDLE OPTIONS

COLLET SIZE	SPINDLE NUMBER	SPARE COLLETS PART NUMBERS
∅ 0.1251/0.1253	D1331-49A	41611
∅ 0.1184/0.1182	D1331-49B	47747

BASIC SPECIFICATION	IMPERIAL UNITS	METRIC UNITS
BEARING AIR SUPPLY PRESSURE	80 P.S.I.G.	5.6 Kg/cm <sup>2</sup>
AIR CONSUMPTION (AT 61 P.S.I.G.)	2 S.C.F.M.	56 Litres/min
COOLING WATER FLOW	33 IMP. GALL/Hr	2.5 Litres/min
COOLING WATER INLET TEMPERATURE	16-20 °C	
MAX. HEAT DISSIPATION TO COOLING WATER	1633 BTU/HOUR	480 WATTS
RADIAL FAILURE LOAD AT W (AT 125000 RPM)	26 lbf	11.8 Kgf
AXIAL FAILURE LOAD (PUSH)	55 lbf	25 Kgf
MAXIMUM SPEED	125,000 RPM	
COLLET ACTUATION PRESSURE RANGE	78-82 P.S.I.G.	5.5-5.8 Kg/cm <sup>2</sup>
MAXIMUM COLLET TORQUE	25 lb in	2.8 N m
APPROX. WEIGHT	8.57 lb	3.89 Kg
MAXIMUM AXIAL ACCELERATION	25g ( DERIVED THEORETICAL MAXIMUM )	

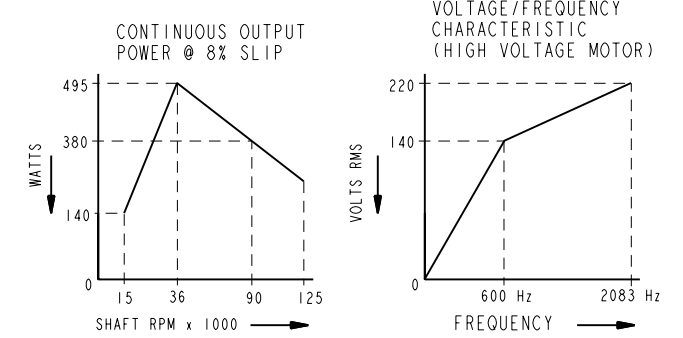
ADDITIONAL DETAILED INFORMATION IS AVAILABLE ON REQUEST

NOTE A:-  
ELECTRICAL SUPPLY 0.8 METRES LONG SCREENED CABLE  
POWER=4-CORE 3-PHASE (WHITE,BLACK,BLUE)  
EARTH=(GRN/YEL)  
SCREEN TO BE EARTHED THRO' CONNECTOR CLAMP

COLOUR	FUNCTION
BLACK	POWER 3 PHASE
WHITE	POWER 3 PHASE
BLUE	POWER 3 PHASE
GRN/YEL	POWER EARTH

NOTE B:-  
5-CORE SCREENED LEAD FOR INSTRUMENTATION 0.8M LONG SPEED SENSOR  
SIEMENS FP212L100-2  
BLUE & GREEN TO +5V SUPPLY  
WHITE SIGNAL  
MOTOR THERMISTOR  
SIEMENS P317-M135 (PTC)  
RED & YELLOW  
SCREEN TO BE EARTHED THRO' CONNECTOR CLAMP

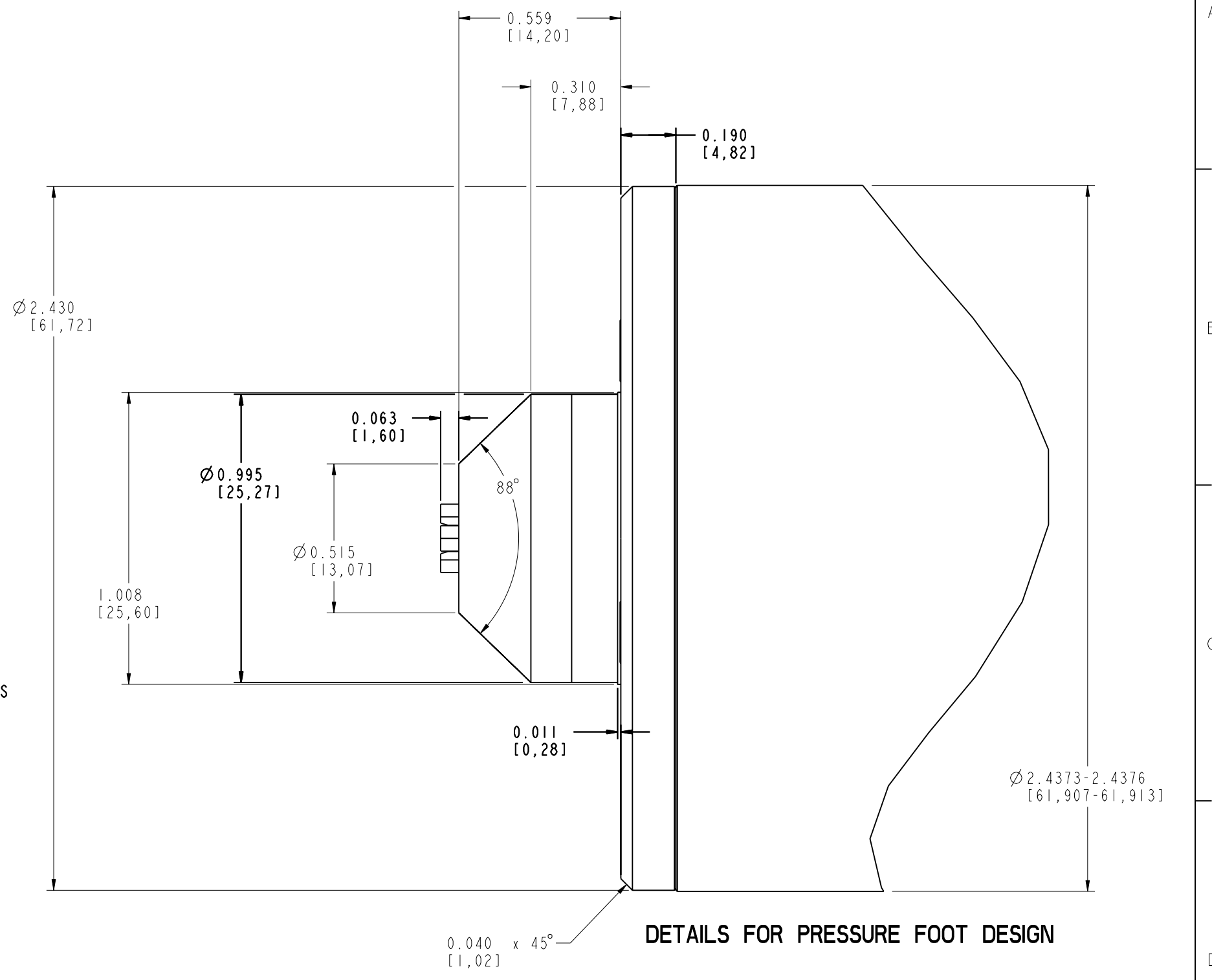
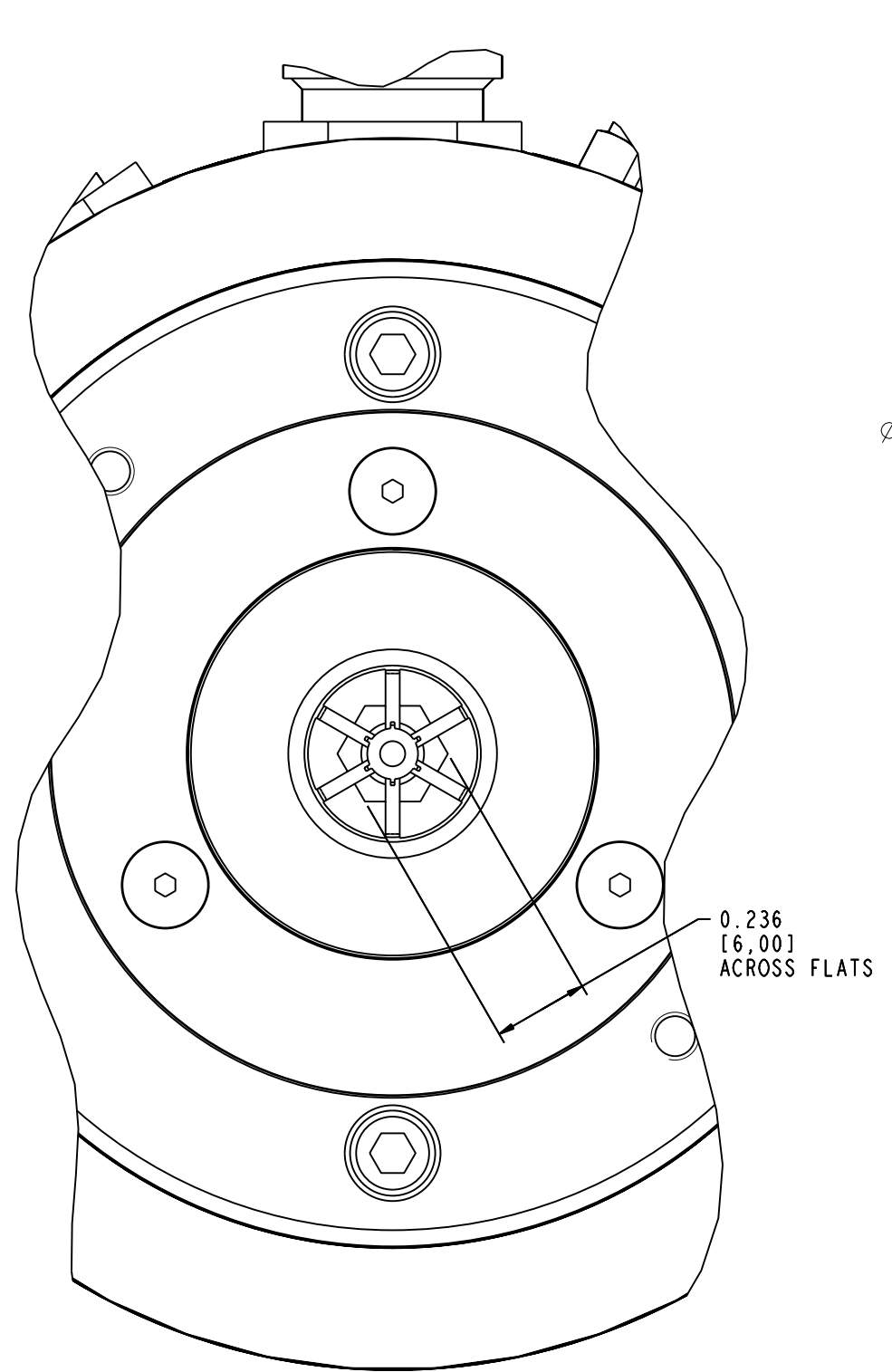
COLOUR	FUNCTION
WHITE	0V SPEED SENSOR
BROWN	+5V SPEED SENSOR
GREEN	+5V SIGNAL SPEED SENSOR
YELLOW	0V MOTOR THERMISTOR
GREY	SIGNAL MOTOR THERMISTOR



GEOMETRIC TOLERANCE SYMBOLS	LIMITS	SIGNED	DATE	TITLE	PRODUCT	DRAWING No.	ISSUE
CHARACTERISTIC SYM CHARACTERISTIC SYM	NOMINAL UNLESS STATED	DRAWN	SEF 4.12.01	PROVISIONAL OUTLINE	SEE TABLE	41318 - G	G
STRAIGHTNESS — CYLINDRICITY ⊙		CHECKED	SEF 4.12.01				
ROUNDNESS ○ SQUARENESS ⊥		DESIGN APPROVAL	MW 5.12.01				
PARALLELISM // CONCENTRICITY ⊙		APPLICATION APPROVAL					
ANGULARITY ∠ SYMMETRY ≡							
RUN OUT — FLATNESS ▭							
TOTAL RUN OUT — POSITION ⊕							

MODEL USED : D1331-49A





**DETAILS FOR PRESSURE FOOT DESIGN**

GEOMETRIC TOLERANCE SYMBOLS				LIMITS	SIGNED	DATE	TITLE	PRODUCT	DRAWING No.	ISSUE
CHARACTERISTIC	SYM	CHARACTERISTIC	SYM	NOMINAL UNLESS STATED	DRAWN	SEF	4.12.01	PROVISIONAL OUTLINE	SEE TABLE	41318 - G
STRAIGHTNESS	—	CYLINDRICITY	⊘		CHECKED	SEF	4.12.01		<b>WESTWIND</b>	
ROUNDNESS	○	SQUARENESS	⊥		DESIGN APPROVAL	SEF				
PARALLELISM	∥	CONCENTRICITY	⊙		APPLICATION APPROVAL					
ANGULARITY	∠	SYMMETRY	≡							
RUN OUT	↗	FLATNESS	▭							
TOTAL RUN OUT	↗	POSITION	⊕							